



CD150MDSS
Shown

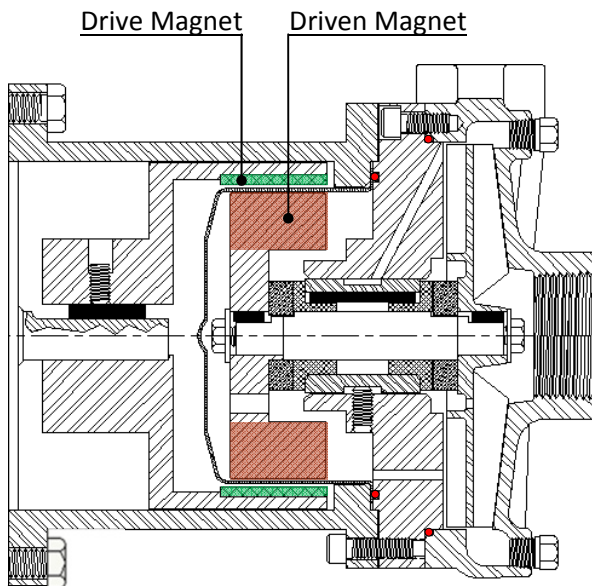
Features

- Leak-proof, magnetic drive
- Eliminates seals to reduce friction wear
- High temperature capacity
- Threaded pump connections

Applications

- Toxic or Explosive Fluids
- Aggressive Chemicals
- Biodiesel Production
- Water Treatment
- Galvanic Processes, Surface Treatments
- Scrubber Applications
- Pharmaceutical Industry
- Vapor Degreasers

Cross Section - Magnets



CD

Pump Models

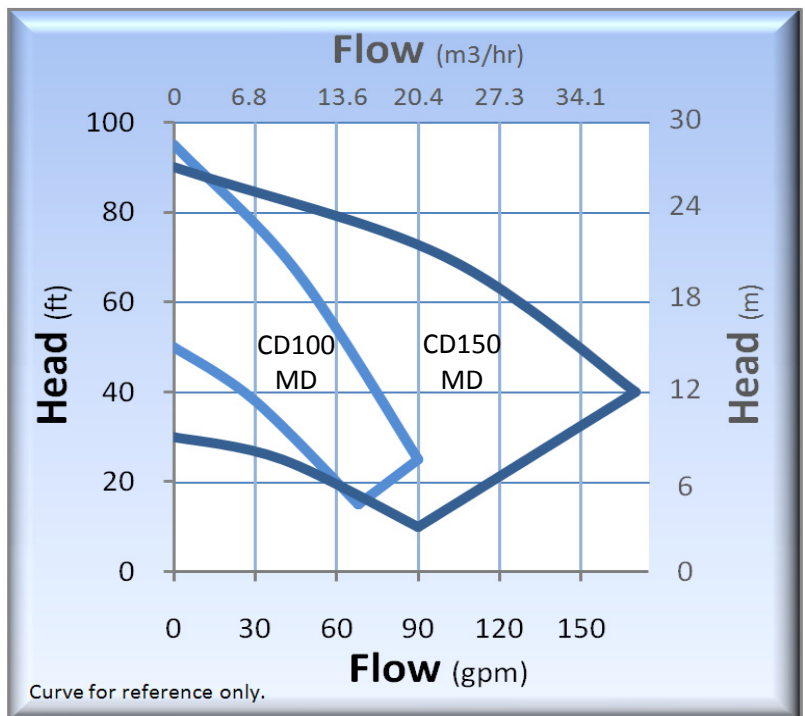
- CD100MDSS – 316 Stainless Steel
- CD150MDSS – 316 Stainless Steel

Standard Specifications

- CD100MD Discharge 1" FNPT, Suction 1-1/4" FNPT
- CD150MD Discharge 1-1/2" FNPT, Suction 2" FNPT
- Maximum Impeller Diameter: 4.94"
- Impeller Material: 316SS
- Motor: NEMA C Face
- O-rings: Viton
- Bushings: Carbon Graphite
- Thrust Washers: Ceramic
- Drive Magnets: Samarium Cobalt

Note: Call factory for additional options

Performance Curve – 60 Hz



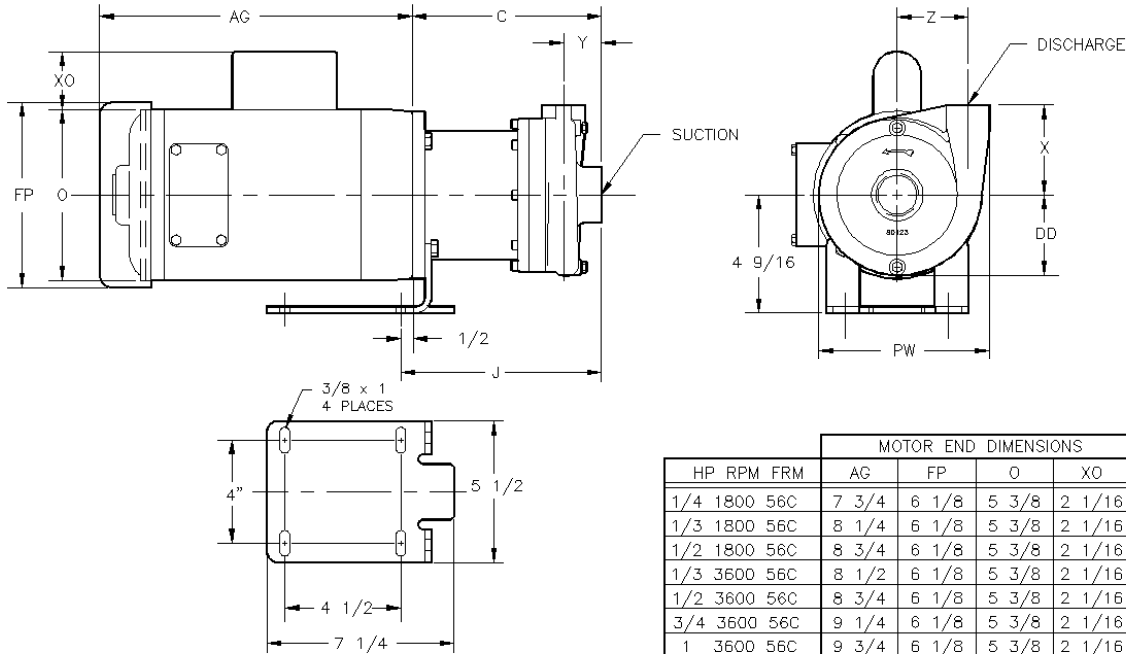
CD (MAG DRIVE)

| Technical Information | |
|-----------------------|--------------------|
| Max Flow (CD100MD) | 90 GPM (20 m3/hr) |
| Max Flow (CD150MD) | 190 GPM (43 m3/hr) |
| Max Head | 100 feet (30.5 m) |
| Min. Flow (CD100MD) | 12 GPM (2.7 m3/hr) |
| Min. Flow (CD150MD) | 25 GPM (5.7 m3/hr) |
| Max Working Pressure | 300 PSI (21 bar) |
| Max Temp. | 350°F (177°C)* |

| Materials of Construction | |
|---------------------------|--|
| CDMD | SS |
| Volute | 316 Stainless Steel |
| Impeller | 316 Stainless Steel |
| Bracket | 316 Stainless Steel |
| Fasteners | 316 Stainless Steel |
| O-ring | Viton (STD), Teflon, Buna, EPR, Neoprene, Kalrez, & Fluoro-Silicon |
| Shaft | 316 Stainless Steel (STD), Tungsten Carbide Coated |
| Bushings | Carbon (STD), Silicon Carbide |
| Thrust Washers | Ceramic (STD), Silicon Carbide |
| Magnet Cup | 316 Stainless Steel |
| Magnets | Samarium Cobalt |

* Temperature limits will vary depending on O-ring material and type of liquid being pumped.

Dimensions (CD Mag-Drive)



Note:

Motors 5 HP and above require VFD or soft starter. Motor dimensions are for reference only and will vary by model and make.

ALL DIMENSIONS HAVE BEEN ROUNDED TO THE NEAREST 1/16".

| HP | RPM | FRM | MOTOR END DIMENSIONS | | | |
|-------|------|------|----------------------|--------|-------|--------|
| | | | AG | FP | O | XO |
| 1/4 | 1800 | 56C | 7 3/4 | 6 1/8 | 5 3/8 | 2 1/16 |
| 1/3 | 1800 | 56C | 8 1/4 | 6 1/8 | 5 3/8 | 2 1/16 |
| 1/2 | 1800 | 56C | 8 3/4 | 6 1/8 | 5 3/8 | 2 1/16 |
| 1/3 | 3600 | 56C | 8 1/2 | 6 1/8 | 5 3/8 | 2 1/16 |
| 1/2 | 3600 | 56C | 8 3/4 | 6 1/8 | 5 3/8 | 2 1/16 |
| 3/4 | 3600 | 56C | 9 1/4 | 6 1/8 | 5 3/8 | 2 1/16 |
| 1 | 3600 | 56C | 9 3/4 | 6 1/8 | 5 3/8 | 2 1/16 |
| 1-1/2 | 3600 | 56C | 10 1/2 | 7 3/16 | 6 7/8 | 2 1/4 |
| 2 | 3600 | 56C | 11 1/8 | 7 3/16 | 6 7/8 | 2 1/4 |
| 3 | 3600 | 56C | 12 3/8 | 7 3/16 | 6 7/8 | 2 1/4 |
| 5 | 3600 | 184C | 13 5/8 | 8 1/2 | 7 7/8 | 2 1/4 |

| | PUMP END DIMENSIONS | | | | | | | | |
|--------------|---------------------|--------|---------|---------|-------|-------|-------|---------|--------|
| | C | DD | PW | X | Y | Z | J | SUCTION | DISCHG |
| CD100 SS MAG | 7 5/8 | 3 1/8 | 6 5/8 | 3 1/2 | 1 3/8 | 2 3/4 | 8 1/8 | 1 1/4" | 1" |
| CD150 SS MAG | 8 5/8 | 4 1/16 | 7 15/16 | 3 13/16 | 2 1/8 | 3 1/8 | 9 1/8 | 2" | 1 1/2" |



21775 Eighth Street East
 Sonoma, CA 95476-0329
 MAIN (707) 938-8441
 TOLL FREE (800) 345-7867
 FAX (707) 938-0764
 E-mail: sales@pricepump.com
 Website: www.pricepump.com

**Contact factory for special pump configurations,
 same day, and next day delivery options.**



Rev. Date: May 2009